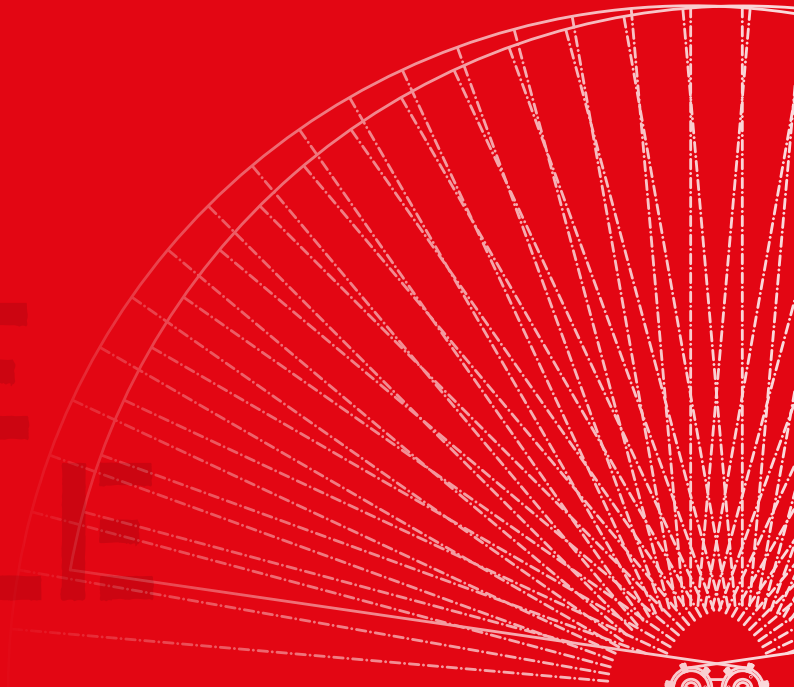




12 METER AUGER 

SIMPLE
PRECISE
RELIABLE







CONTENTS

Bredal 12 m auger.....	2
Standard equipment.....	6
Additional equipment.....	8
Specifications for 12 m auger.....	13
Spreading with a spread unit.....	14
Material/Dosage control.....	16
Dimensions.....	17

***Bredal 12 meter
auger is for the K-models
K105L and K135L***





BREDAL 12m spreading system with horizontal auger is designed for intensive professional use with main focus on capacity and reliability. Special constructing design of auger suggests simple application, uncomplicated maintenance and service. The construction enables easy handling during transportation, folding and unfolding of the auger for fulfilling field tasks.

BREDAL designed the auger in the way that allows achieving efficient distribution of material and the best spreading pattern on the required width regardless of the quantity of the material and its types.

The auger is provided with scrapers for each dosage opening, which prevents clogging.





The spreader along with all components is painted with 2 layers of powder paint which gives both great finish and a durable surface.

STANDARD EQUIPMENT

/ Mechanical wheel drive for dosage

Drive dependent dosage secures the correct dosage required at given driving speed.

/ Overview

Hydraulic tubes are gathered at the front of the machine and suspended through a weight relief swivel ring over to the tractor.

/ Inspection window

Usage of inspection windows placed on the front of the hopper facilitates checking of the filling level right from the driver's seat.

/ Ladder

Ladder on the frontal part is used for hopper inspection.

/ Rear hatch

A standard rear hatch is made in stainless steel and mounted into 2 plastic rails for the longest possible lifetime and convenient and easy adjustment.

/ Light bar

A bar made in stainless steel and equipped with LED light for achieving better visibility and longer lifetime.

/ Roller cover for dust damping

Roller cover which goes all the way down to earth surface for best possible dust damping and maximal elimination of wind effect onto the spreading pattern. The cover is stretched out and fixed due to weights enrolled into the bottom of the cover.

/ Belt frame

Belt frame is delivered in stainless steel with greased and maintenance-free nylon bearings which are encapsulated for the purpose of providing optimal protection against dust penetration.

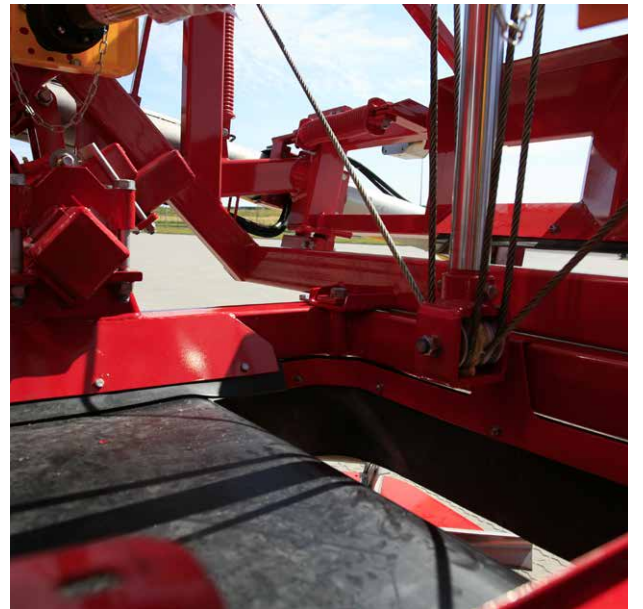
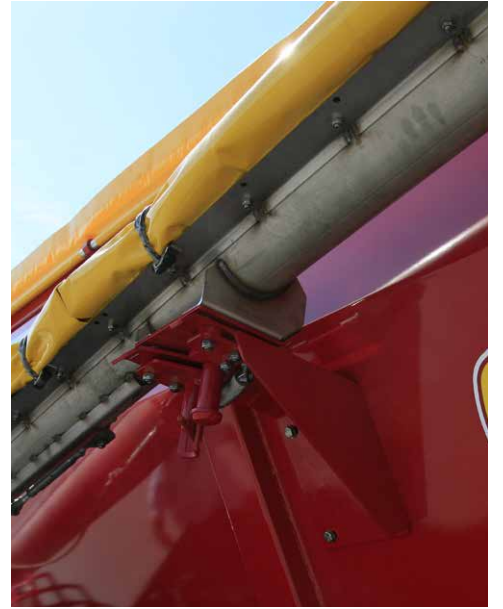
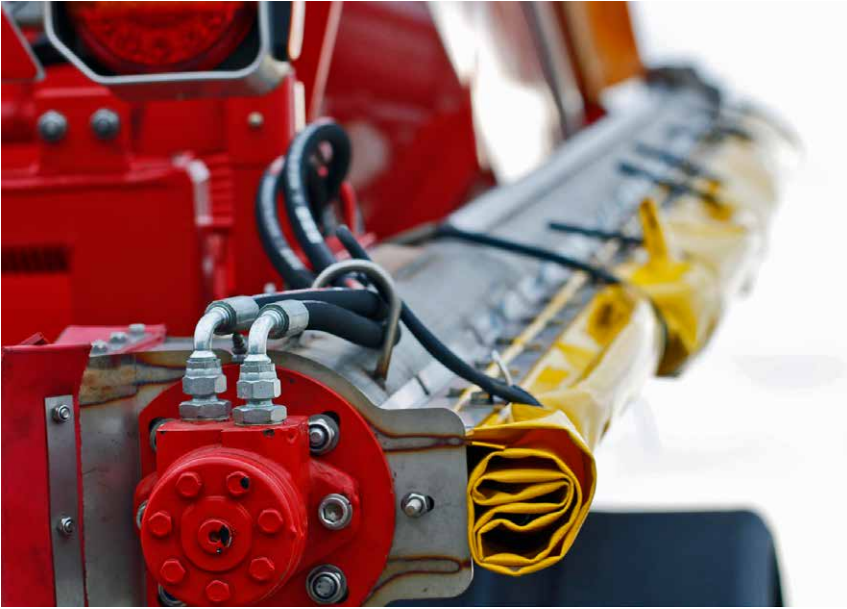
/ Hydraulic jack

Models for mounting 12m auger are delivered in standard configuration with hydraulic double acting jack.

/ BPW axle with hydraulic brakes

The BPW axle is a powerful 10-ton axle, that is equipped with hydraulic brakes, while pneumatic brakes can be delivered on request.





/ Steel top

For pressure-filling purposes it is suggested to use a steel top with 48cm high sides. The steel top is equipped with a manhole of 70 x 70 cm for quick and convenient inspection of the hopper. The top can be removed, if it is necessary to spread by spreading discs.

/ Pipe for insufflation

4-inch pipe for insufflation with superheated steam for filling the hopper by pumping.

/ Compactor

For pressure-filling purposes it is suggested to acquire a compactor to guarantee tight filling of the hopper. The compactor presses the air out of the spreading material and secures optimal tight filling.

/ Brakes

Pneumatic brakes with 1 or 2 circuits can be ordered optionally instead of hydraulic brakes, which are in standard configuration.

/ Hydraulic rear door

Hydraulic rear door is used for quick shutting of the hopper in case of road transportation to and from the field.

/ Computer operating

Computer operating can be performed via TeeJet 500.

/ Weighing cells

K105L in single axle edition can be delivered with weighing cells in connection with TeeJet500.

/ Spread unit

The spreader is delivered with a SPC-4500-2 v-belt transmission for spreading lime and fertilizer.

/ Headland gear

12-28 or 24-36 m headland gear for optimal headland spreading.

/ Hydr. operated headland device

There is an option to order a hydraulically operated headland device to conveniently shift from headland spreading to in-field spreading from tractor's cabin.

/ Hydraulic cover

Hydraulic cover can be delivered either with 23 or 48cm hopper extension.

/ Wheel mudguards in plastic

The mudguards are offered optionally to protect spreading vanes and spreading discs from splashing from under the wheels and to avoid unnecessary dirtying of the spreader and the tractor.

ADDITIONAL EQUIPMENT







BREDAL





SPECIFICATIONS FOR BREDAL 12 M AUGER

Auger:	Ø 140 mm stainless steel with scrapers made of Teflon rubber
Auger pipe:	Ø 155 mm, stainless steel
Distance between dosage openings:	198 mm, Ø 40 mm dosage openings in the auger pipe
Slide gates:	2 mm stainless steel, with 36 mm rain-drop shaped holes
Cylinder for folding and unfolding of the auger:	Single acting with 2 gas cylinders for folding and unfolding
Distribution system:	2 pcs. OMP 100 encased hydraulic motors 1 pc flow valve for precise rpm control at different dosage rates
Dust damper:	Roller cover stretches out along full width of the auger in its standard configuration
Min./max quantity (dosage):	100-600 kg/min, provides: 750 kg/ha -> 3000 kg/ha at 10 km/h 1250 kg/ha ->5000 kg/ha at 6 km/h



SPREADING WITH A SPREAD UNIT

/ A complete machine

BREDAL spreading system with horizontal auger is designed in the way that makes it possible to apply traditional spreading system with 2 spreading discs simultaneously with still having the auger mounted onto the spreader.

That is to say, the same machine can drive with either 12 meter auger or SPC spreading system onto which fertilizer equipment for 12-36 meter spreading is mounted.

In case the auger is needed again, the spreading system gets removed, while mounting system and shaft drive systems are being prepared for quick mounting.





602 723 958
ZEMĚDĚLSKÁ TECHNICKÁ
Ing. Jan Křiváček
ZEMĚDĚLSKÝ ÚSTAV

BREDAL

/ Only high quality materials are good enough

The materials and parts used for constructing the spreading system are chosen with consideration and accuracy to secure a long and unproblematic lifetime of the machine. The design of the spreader is meant to provide simplicity of maintenance and cleaning friendliness. The auger itself has a big diameter of 140 mm and is made of stainless steel.

The auger pipe is made of stainless steel and has an inner diameter of 155 mm. Both 6-meter long auger pipes are

provided with 3 stainless rails by dosage openings for the purpose of achieving the best spreading pattern over the required spreading width. Rain-drop shaped dosage openings secure the best possible dosing precision.

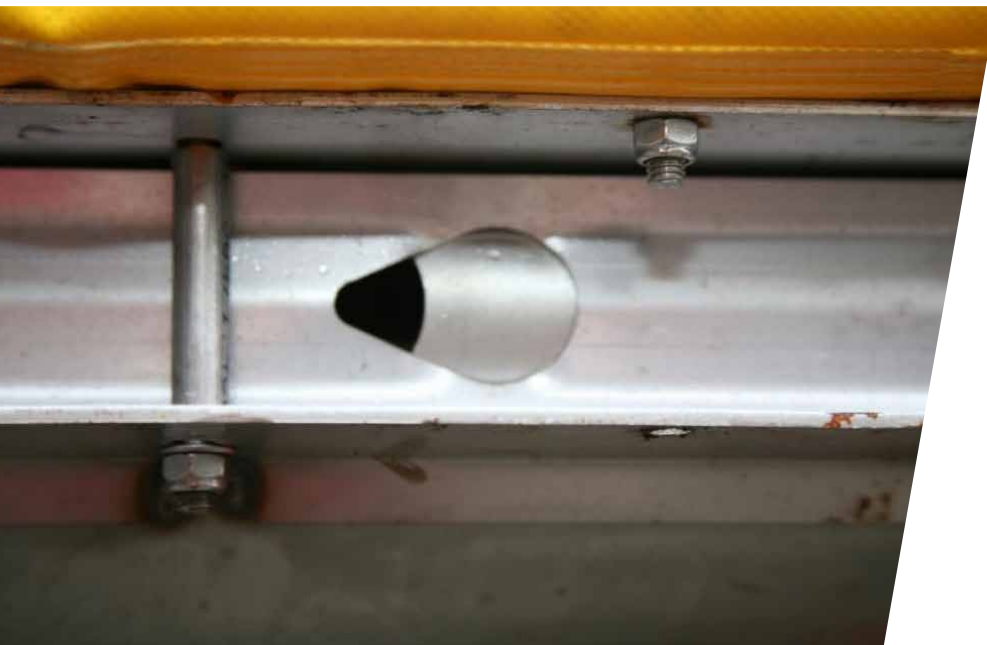
Gas cylinders on the auger mounting provide for easy and precise folding and unfolding of the auger. Bearings and seals are encapsulated and greased, which gives them a longer lifetime even under extremely dusty exploitation conditions with long working days.

/ Choice of dosage control settings

BREDAL auger is distinguished by uncomplicated settings and maintenance whether it has to be driven by mechanic wheel drive or when the auger and the spreader are operated via computer.

The requirements made to hydraulic capability of tractors are rather modest, as the auger requires just 30 liter/min for machines with a mechanical wheel drive. Computer controlled spreaders require a double acting extraction outlet for the belt and the auger, and a single acting extraction outlet for folding and unfolding of the auger.

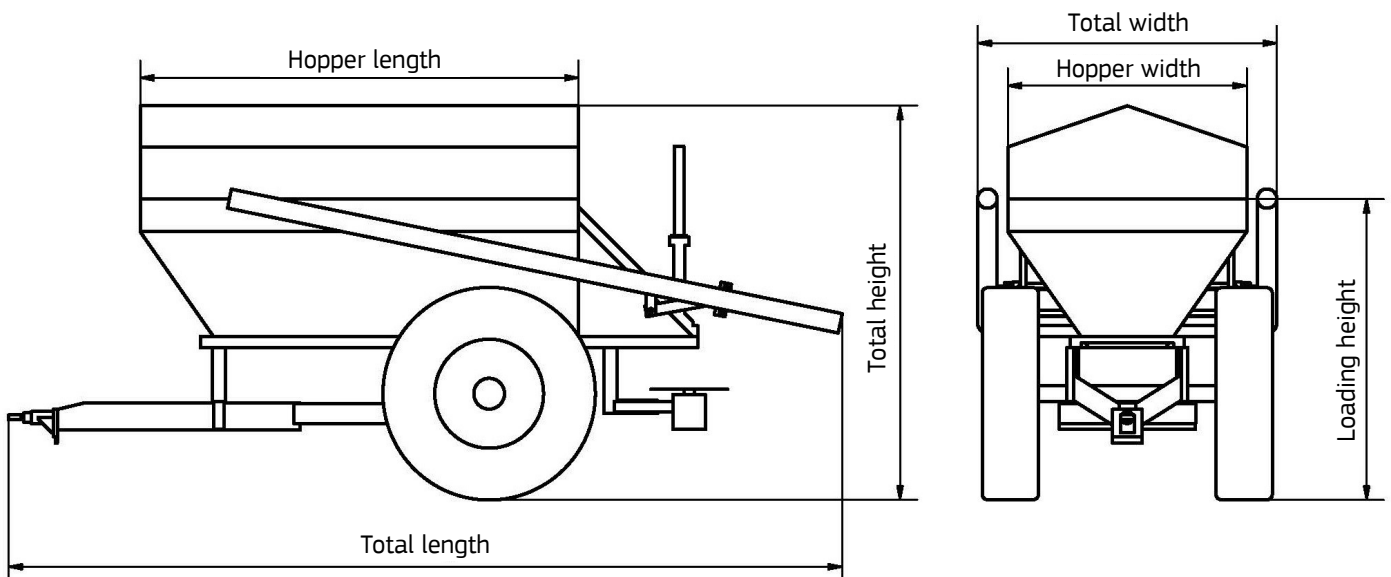
The required capacity for machines with computer control is 60 liter/min.



DIMENSIONS

	K105L (single axle)	K105L (Bogie)	K135L (Bogie)
Nettoweight Kg.	3500	5800	6800
Capacity to edge m ³	9	9	12
Hopper extension volume m ³	2	2	2,9
Capacity with extension m ³	11	11	14,9
with 480mm steel top	13,7	13,7	18
Hopper length mm	4016	4016	5696
Hopper width mm	2200	2200	2200
Total length	7665	7924	9633
Width with auger folded up	2900	2900	2900
Greatest width on outside of wheels mm	2900	2900	2900
*Loading height min.	2665	2750	2750
*Loading height max.	3070	2866	2900
*Total height min.	3200	3200	3300
*Total height max.	3600	3350	3450
Largest possible wheel diameter mm	Ø1950	Ø1475	Ø1675

* without hopper extension





SIMPLE
PRECISE
RELIABLE

For more than 50 years Bredal has been specializing in production of high-quality lime and fertilizer spreaders for agricultural purposes. The company's goal is to build reliable machinery, precise in exploitation, simple in operation and maintenance. In recent years Bredal product line has been expanded to include winter equipment in the form of sand and salt spreaders.

The company's interests in most of the countries importing Bredal machinery are represented by local importers who sell Bredal spreaders and provide technical support and service.

Bredal is located in Vejle, Denmark, where it has top modern production facilities with latest equipment used for producing the high-quality machines.

